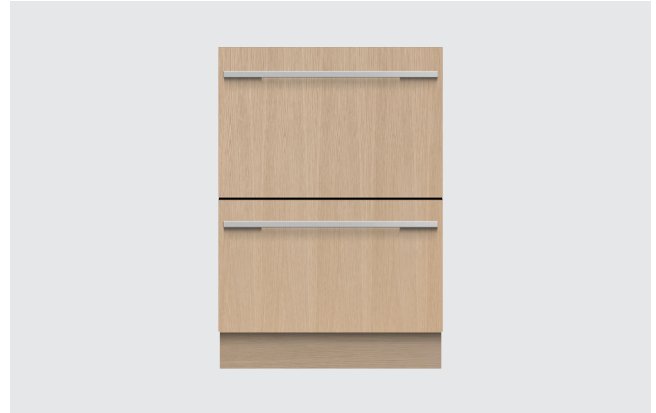


FISHER & PAYKEL

SPECIFICATION GUIDE

INTEGRATED DOUBLE DISHDRAWER™ DISHWASHER, SANITIZE SERIES 9, INTEGRATED STYLE



OVERVIEW

Customize with your cabinetry for a seamless look. Each drawer washes independently so you can run one while you load the other.

MODELS

Integrated Double DishDrawer™ Dishwasher, Sanitize
DD24DI9 N

SERIES & STYLE

Series 9
Integrated Style

FEATURES

- ① Customize with your own front panel and handle to match your kitchen cabinetry, or choose our stainless steel accessory panels
- ② Use both drawers independently, with the ability to select different wash programs
- ③ Six wash programs, from delicate to heavy to suit any load
- ④ Quick, Sanitise and Extra Dry provide extra wash options
- ⑤ American Disabilities Act (ADA) compliant, this Double DishDrawer™ sits at an accessible height
- ⑥ Knock to pause function is perfect if you miss a dish
- ⑦ Flexible racking can be folded down to fit bigger dishes

ACCESSORIES

- ① Optional contemporary square handle kit
- ② Optional contemporary round handle kit
- ③ Optional stainless steel door kit
- ④ Kickstrip
- ⑤ Two cutlery basket
- ⑥ Knife clip and multipurpose clip

FISHER & PAYKEL

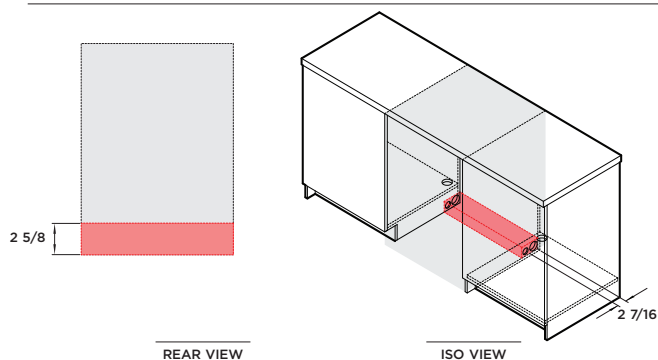
SPECIFICATION GUIDE

INTEGRATED DOUBLE DISHDRAWER™ DISHWASHER, SANITIZE SERIES 9, INTEGRATED STYLE

SPECIFICATIONS

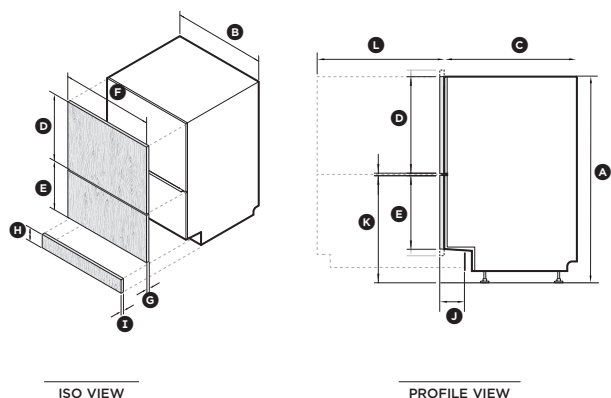
Model No.	DD24DI9 N
Dimensions	H 32 1/4" - 34 5/8" (820mm - 880mm) x W 23 9/16" (599mm) x D 21 3/4" (553mm)
Weight	51kg
Electrical	
Supply	110-120V, 60Hz
Service	8.7A
Receptacle	3 prong grounding-type
Plumbing	
Supply	Supplied hose to suit 3/8" (9mm) male compression fitting.
Pressure	min 0.03 MPa - max 1 MPa

PLUMBING AND ELECTRICAL

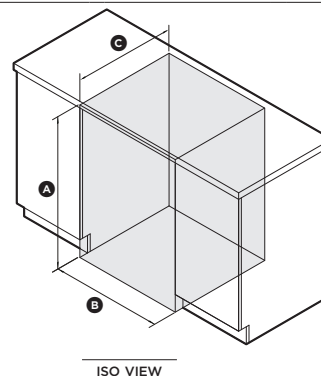


Service outlet at rear extends both sides, hoses and cords can be routed to either or both sides

PRODUCT DIMENSIONS



CAVITY DIMENSIONS: STANDARD INSTALLATION



	in	mm
(A) Overall height*	32 1/4 - 34 5/8	820 - 880
(B) Width of chassis	34 5/8	599
(C) Depth of chassis**	21 3/4	553
(D) Minimum height of custom upper front panel***	15 11/16	398
(E) Height of custom lower front panel***	12 1/4 - 14 13/16	311 - 360
(F) Width of custom front panels	23 7/16 - 24 3/16	596 - 615
(G) Depth of custom front panels	5/8 - 13/16	16 - 20
(H) Height of custom toe kick panel*	2 1/4 - 4 5/8	58 - 118
(I) Depth of custom toe kick panel	3/8	9
(J) Depth of toe kick recess	1 9/16 - 3 15/16	40 - 100
(K) Height from floor to top of bottom drawer panel*	16 5/6 - 18 11/16	414 - 474
(L) Depth of open drawer	20 3/4"	527

	in	mm
(A) Overall height*	32 1/4"	820
(B) Overall width	23 5/8"	600
(C) Minimum overall depth of cavity**	22 3/4"	579

*Depending on adjustment of levelling feet

**Assumes a door panel thickness of 3/4"

*Includes adjustable mounted feet and the range of movement.

**Does not include the custom panels, handles or toekick panel to be manufactured and fitted by cabinetmaker.

***The top drawer panel may be extended up, or the bottom panel down from the fixed gap between both. Adjust the height of the toekick panel accordingly.